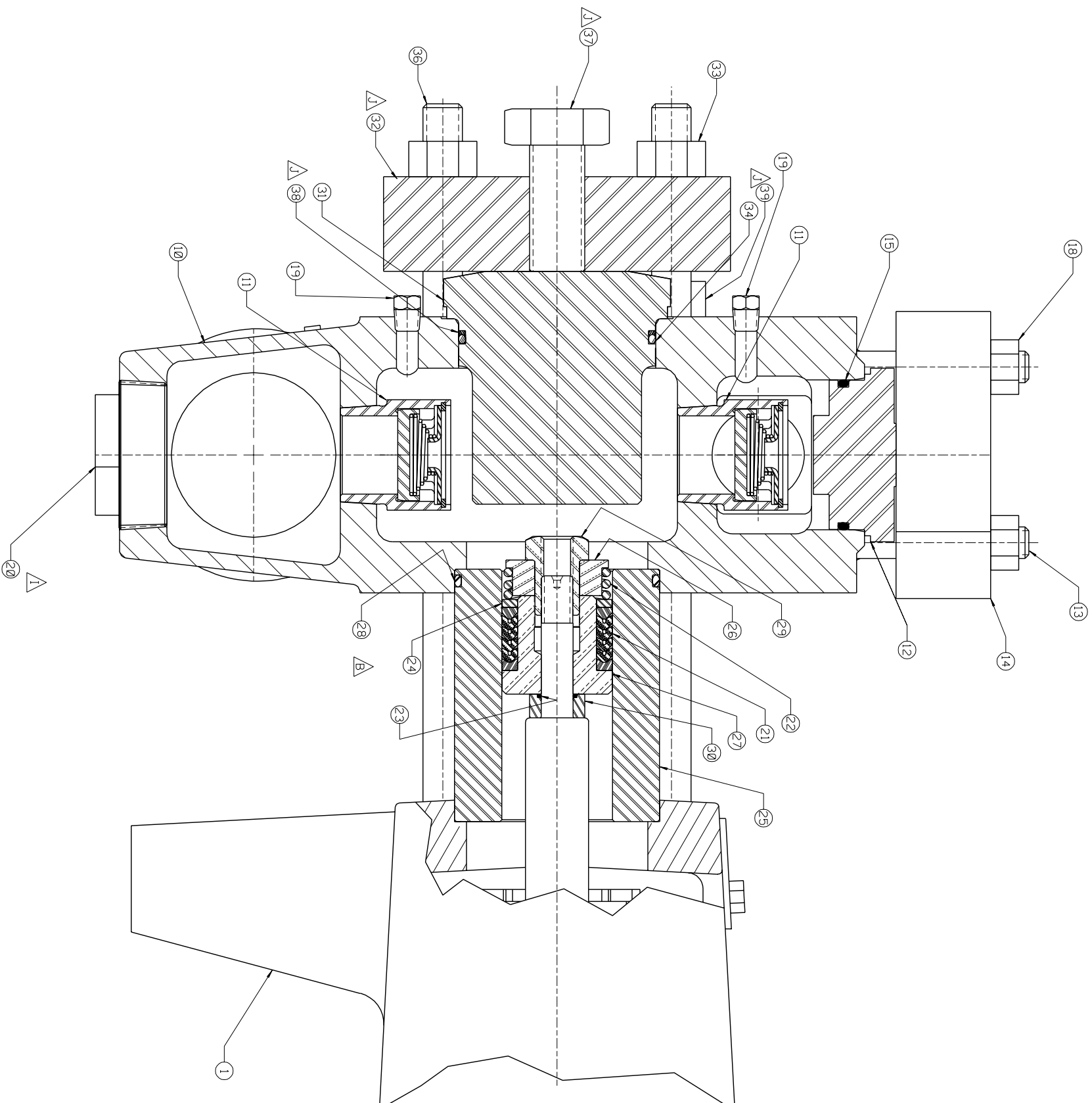
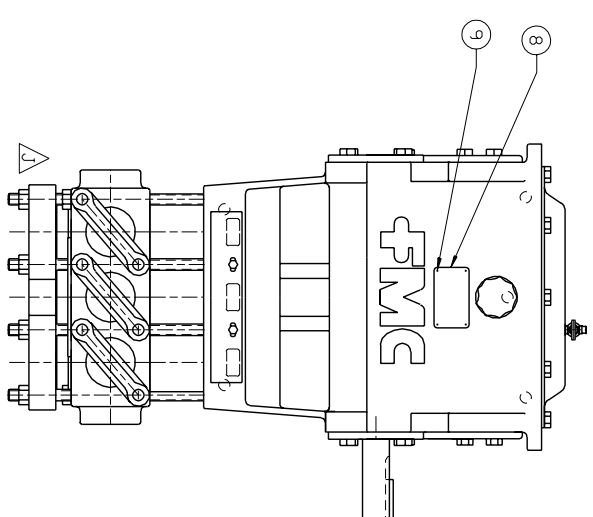


\* THESE COMPONENTS ARE LOCATED IN THE FLUID CYLINDER ASSEMBLY, ITEM (2)  
 \*\* THESE COMPONENTS ARE LOCATED IN THE CYLINDER/PISTON GROUP, ITEM (3)  
 \*\*\* THESE COMPONENTS ARE LOCATED IN THE ATTACHING GROUP, ITEM (4)



ITEM NO.	PART NO.	PART NAME
(1)	5271956	POWER END ASSEMBLY:
(2)	5268123	FLUID CYLINDER ASSEMBLY:
(3)	P500373	CYLINDER/PISTON GROUP:
(4)	P500372	ATTACHING GROUP:
(5)	1105558	COUPLING: 1/4" PIPE (NOT SHOWN)
(6)	1105902	NIPPLE: 1/4" PIPE, 6" LG. (NOT SHOWN)
(7)	5262452	LIT KIT: (NOT SHOWN)
(8)	P513487	TAG: SECA
(9)	1187413	SCREW: #4 X 3/8"
(10)	5257262	FLUID CYLINDER:
(11)	5255419	VALVE ASSEMBLIES:
(12)	1283530	VALVE COVER:
(13)	1248372	STUD: 1/2"-13 UNC-2A X 4.0 LG.
(14)	5258151	VALVE COVER CLAMP:
(15)	1181154	O-RING: 2 3/8" OD X .125 NOM., BUNA-N
(16)	1177205	CAPPLUG: INT. 44 (NOT SHOWN)
(17)	1177202	CAPPLUG: INT. 17S (NOT SHOWN)
(18)	1121511	HEX NUT: 1/2"-13
(19)	P501267	PLUG: 1/8" PIPE
(20)	1105121	PLUG: 2" PIPE
(21)	5259396	PACKING ASSY: V-RING
(22)	5265449	SPRING:
(23)	1101176	O-RING: 3/8" OD X 1/8" NOM., BUNA-N
(24)	5265448	THROAT RING:
(25)	P508342	CYLINDER: 1 3/4" ID
(26)	5265447	SPRING COMPRESSOR:
(27)	5266446	PACKING HOLDER:
(28)	A90-234	O-RING: 3 1/4" OD X 1/8" NOM., BUNA-N
(29)	P501043	PACKING NUT:
(30)	1284632	PACKING CUP SEAL:
(31)	3269586	CYLINDER COVER:
(32)	P525099	CYLINDER HEAD CLAMP:
(33)	504-088	HVY HEX NUT: 3/8"-11UNC-2A
(34)	1177476	O-RING: 3 1/8" OD X 1/8" NOM., BUNA-N
(35)	1187039	PETCOCK: (NOT SHOWN)
(36)	P525297	STUD: 5/8"-11UNC-2A X 12.00 LONG
(37)	P519280	HHCS: 7/8"-9UNC-2A X 2.00 LONG
(38)	P514731	BACK UP RING:
(39)	P525113	HEX JAM NUT: 5/8"-11UNC-2A

**NOTES:**

- 1 TORQUE FASTENERS PER FMC ENGR SPEC AS-22, EXCEPT TORQUE ITEM 33 AT 120 FT-LBS
- 2 TEST AT 1765 INPUT RPM WITH DISCHARGE PRESSURE OF 3000 PSI FOR 45 MINUTES, PER ENGR SPEC AS-15
- 3 STAMP NAMEPLATE WITH THE FOLLOWING DATA:  
 MODEL -- 11114D SC, P.N. -- P505569, S.N. --  
 RPM -- 1765, GPM -- 40, PSI -- 3000, HP -- 82

REV	DESCRIPTION	DATE	BY	CHKD
J	ADD BACK UP RING	12-06-84	TH	
I	REV BOM & GRAPHICS	12-28-84		
H	DELETE ID	07-25-82		
G	REV NOTES 2 & 3	07-29-81		
F	REV BOM	07-29-81		
E	REV BOM	07-27-80		
D	REV BOM	06-15-79		
C	REV BOM	04-14-79		
B	CHANGE GASKET	10-30-78		
A	NEW RELEASE	05-05-78		
WAS				

This drawing is the property of FMC Technologies, and may not be used, reproduced, published, or disclosed to others, without express authorization of FMC Technologies.

**FMC Energy Systems**

PUMP ASSEMBLY

11114D SC, RH, W/2 1/2" NPT X 1/4" NPT  
 FLUID END, V-RING PACKING PISTON &  
 440 SST DISC VALVE ASSEMBLIES

DRAWN: BKM 05-05-98  
 CKD: SJK 05-06-98  
 APPD: RMC 05-07-98

SIZE: NONE  
 DRAWING NO.: P505569  
 COPYRIGHT FMC TECHNOLOGIES

P505569